

Swiss-Line



Contents:

Product Identification	116
Product Identification - Inserts	117
Grooving	118
Grooving and Profiling (full radius)	119
Parting Off	120
Back Turning	121
Front Turning	121
Threading - Partial Profile 60°	122

Page:

Contents:

Threading - Partial Profile 55°	123
Threading - ISO metric 60°	124
Threading - UN unified 60°	125
Product Identification - Toolholders	126
External Toolholders	125
Grooving, Parting Off, Turning, Profiling, Threading, Working Method	128
Cutting Data	129

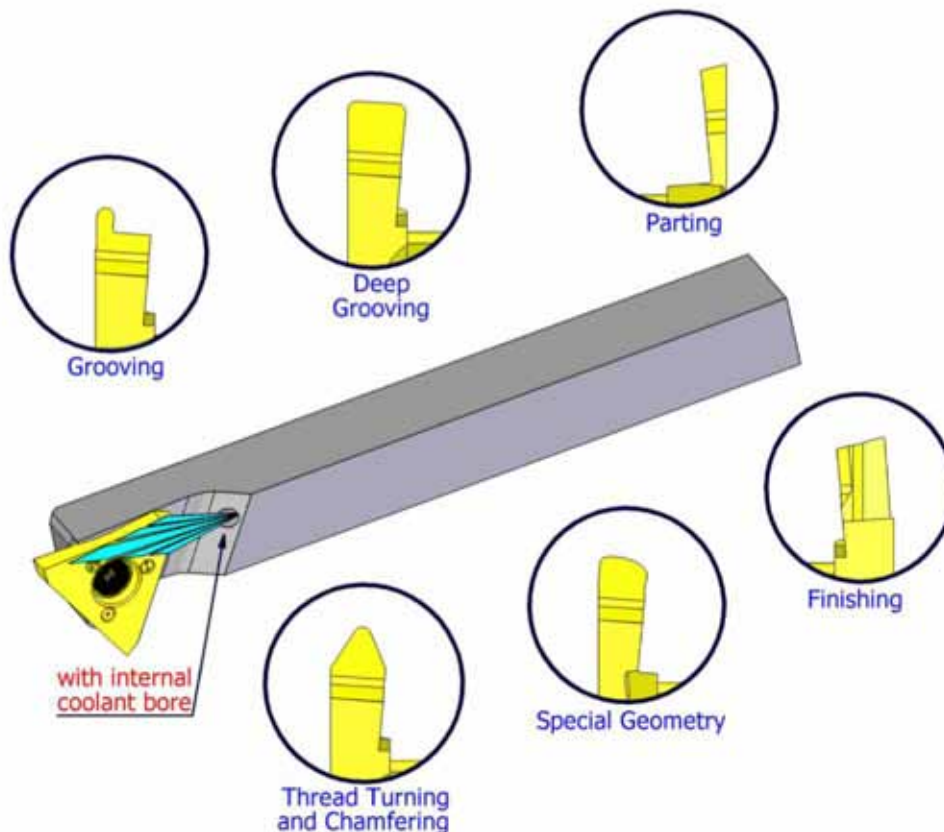
Swiss-Line

- Swiss Type machines are becoming a popular alternative to large lathes and machining centers in many companies.
- Carmex is introducing a new line of inserts and toolholders, developed for automatic lathes and Swiss Type machines.
- Designed for economic parting, grooving, profiling and chamfering mass production.

Advantages

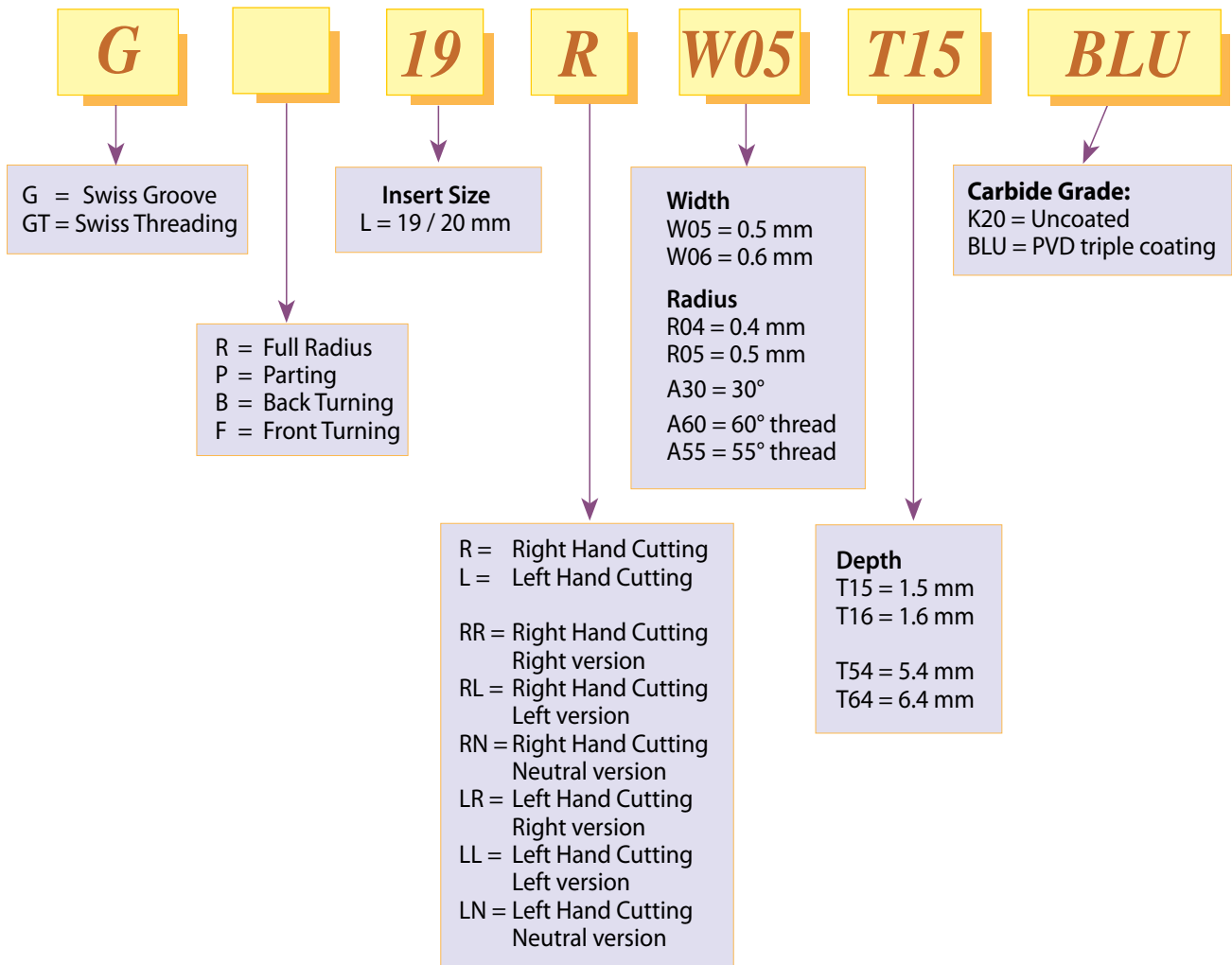
Advance sub-micron grade (K10-K30) - a combination of strength, toughness, wear resistance and edge sharpness.

- Grounded cutting edges.
- Advance and unique PVD triple coating, for high wear and heat resistance.
- For most types of material, including Stainless Steels, Titanium and Super Alloys.

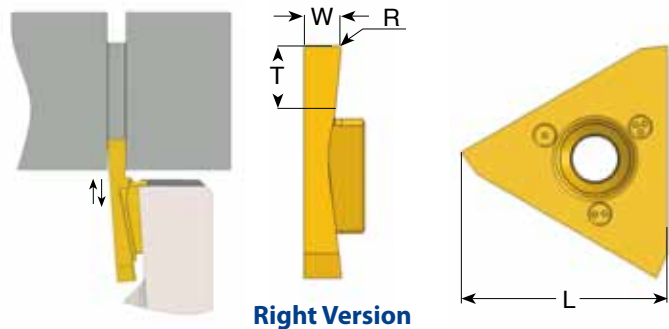


- Three cutting edges.
- The insert can be indexed directly on the machine.
- Internal coolant to the cutting edge.

Product Identification - Inserts



Grooving



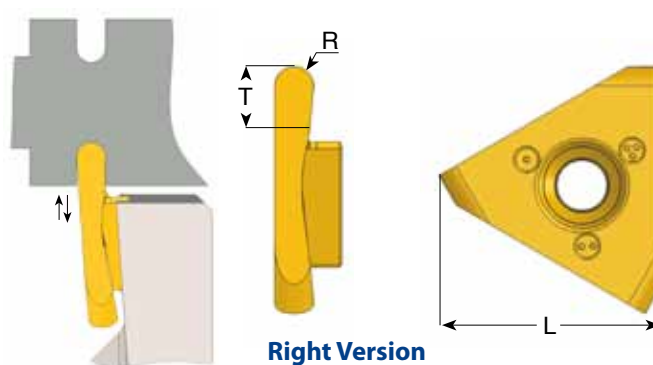
Right hand cutting

L	Ordering Code	W ± 0.02	T max	R	Feed mm/rev	
					Radial	Axial
19	G19 R W05 T15	0.5	1.5	0	0.01-0.06	0.02-0.10
	G19 R W06 T16	0.6	1.6	0	0.01-0.06	0.02-0.10
	G19 R W07 T17	0.75	1.7	0	0.01-0.06	0.02-0.10
	G19 R W08 T18	0.8	2.0	0.05	0.01-0.06	0.02-0.10
	G19 R W10 T22	1.0	2.5	0.05	0.02-0.07	0.02-0.10
	G19 R W12 T24	1.2	3.0	0.05	0.02-0.07	0.02-0.10
	G19 R W14 T28	1.4	3.0	0.05	0.03-0.08	0.02-0.10
	G19 R W15 T30	1.5	3.0	0.05	0.03-0.08	0.02-0.10
20	G19 R W17 T34	1.7	4.0	0.05	0.04-0.09	0.02-0.20
	G20 R W20 T40	2.0	4.0	0.1	0.05-0.10	0.02-0.20
	G20 R W22 T45	2.25	5.0	0.1	0.05-0.10	0.02-0.20
	G20 R W25 T50	2.5	6.0	0.1	0.05-0.10	0.02-0.20
	G20 R W30 T60	3.0	6.0	0.1	0.05-0.10	0.02-0.20

Left hand cutting

L	Ordering Code	W ± 0.02	T max	R	Feed mm/rev	
					Radial	Axial
19	G19 L W05 T15	0.5	1.5	0	0.01-0.06	0.02-0.10
	G19 L W06 T16	0.6	1.6	0	0.01-0.06	0.02-0.10
	G19 L W07 T17	0.75	1.7	0	0.01-0.06	0.02-0.10
	G19 L W08 T18	0.8	2.0	0.05	0.01-0.06	0.02-0.10
	G19 L W10 T22	1.0	2.5	0.05	0.02-0.07	0.02-0.10
	G19 L W12 T24	1.2	3.0	0.05	0.02-0.07	0.02-0.10
	G19 L W14 T28	1.4	3.0	0.05	0.03-0.08	0.02-0.10
	G19 L W15 T30	1.5	3.0	0.05	0.03-0.08	0.02-0.10
20	G19 L W17 T34	1.7	4.0	0.05	0.04-0.09	0.02-0.20
	G20 L W20 T40	2.0	4.0	0.1	0.05-0.10	0.02-0.20
	G20 L W22 T45	2.25	5.0	0.1	0.05-0.10	0.02-0.20
	G20 L W25 T50	2.5	6.0	0.1	0.05-0.10	0.02-0.20
	G20 L W30 T60	3.0	6.0	0.1	0.05-0.10	0.02-0.20

Grooving and Profiling (full radius)



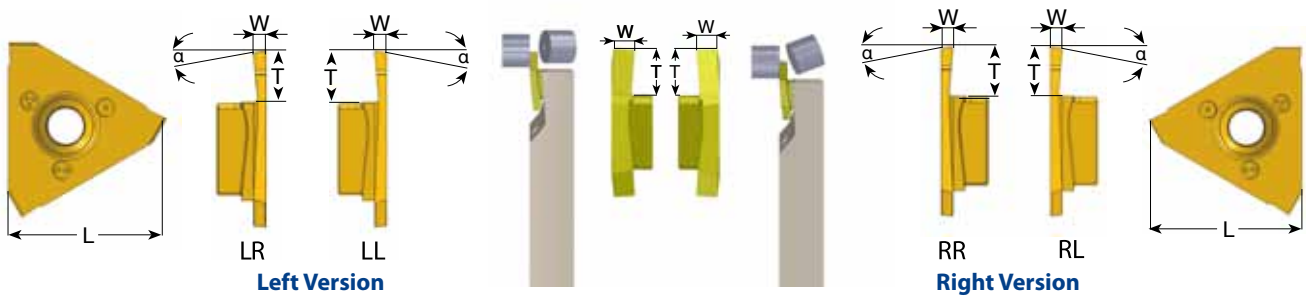
Right hand cutting

L	Ordering Code	R ± 0.03	T max	Feed mm/rev	
				Radial	Axial
19	GR19 R R02 T15	0.25	1.5	0.01-0.06	0.02-0.10
	GR19 R R04 T18	0.40	2.0	0.01-0.06	0.02-0.10
	GR19 R R05 T22	0.50	2.5	0.02-0.07	0.02-0.10
	GR19 R R06 T26	0.60	3.0	0.02-0.07	0.02-0.10
	GR19 R R08 T33	0.80	3.5	0.04-0.09	0.02-0.20
	GR19 R R10 T40	1.00	4.0	0.05-0.10	0.02-0.20
20	GR20 R R12 T50	1.25	6.0	0.05-0.10	0.02-0.20
	GR20 R R15 T60	1.50	6.0	0.05-0.10	0.02-0.20

Left hand cutting

L	Ordering Code	R ± 0.03	T max	Feed mm/rev	
				Radial	Axial
19	GR19 L R02 T15	0.25	1.5	0.01-0.06	0.02-0.10
	GR19 L R04 T18	0.40	2.0	0.01-0.06	0.02-0.10
	GR19 L R05 T22	0.50	2.5	0.02-0.07	0.02-0.10
	GR19 L R06 T26	0.60	3.0	0.02-0.07	0.02-0.10
	GR19 L R08 T33	0.80	3.5	0.04-0.09	0.02-0.20
	GR19 L R10 T40	1.00	4.0	0.05-0.10	0.02-0.20
20	GR20 L R12 T50	1.25	6.0	0.05-0.10	0.02-0.20
	GR20 L R15 T60	1.50	6.0	0.05-0.10	0.02-0.20

Parting Off



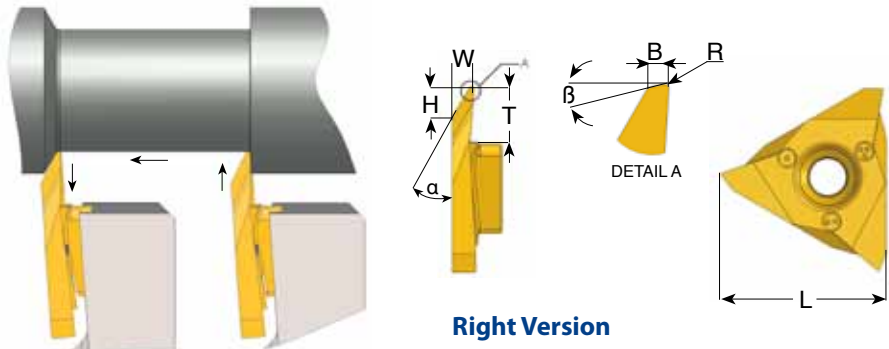
Right hand cutting

L	Ordering Code	W	α°	T max	Feed mm/rev Radial		
19	GP19 RR W10 T54	1.0	15	5.4	0.02-0.09		
	GP19 RL W10 T54		15				
	GP19 RN W10 T54		0				
	20	GP19 RR W12 T54	1.2	15	5.4	0.02-0.09	
		GP19 RL W12 T54		15			
		GP19 RN W12 T54		0			
20		GP20 RR W15 T64	1.5	15	6.4	0.04-0.10	
		GP20 RL W15 T64		15			
		GP20 RN W15 T64		0			
	20	GP20 RR W18 T64	1.8	15	6.4	0.04-0.10	
		GP20 RL W18 T64		15			
		GP20 RN W18 T64		0			
		20	GP20 RR W20 T64	2.0	15	6.4	0.05-0.12
			GP20 RL W20 T64		15		
			GP20 RN W20 T64		0		
	20		GP20 RR W25 T64	2.5	15	6.4	0.05-0.12
			GP20 RL W25 T64		15		
			GP20 RN W25 T64		0		
20		GP20 RR W30 T64	3.0	15	6.4	0.05-0.12	
		GP20 RL W30 T64		15			
		GP20 RN W30 T64		0			

Left hand cutting

L	Ordering Code	W	α°	T max	Feed mm/rev Radial	
19	GP19 LR W10 T54	1.0	15	5.4	0.02-0.09	
	GP19 LL W10 T54		15			
	GP19 LN W10 T54		0			
	20	GP19 LR W12 T54	1.2	15	5.4	0.02-0.09
		GP19 LL W12 T54		15		
		GP19 LN W12 T54		0		
20		GP20 LR W15 T64	1.5	15	6.4	0.04-0.10
		GP20 LL W15 T64		15		
		GP20 LN W15 T64		0		
	20	GP20 LR W18 T64	1.8	15	6.4	0.04-0.10
		GP20 LL W18 T64		15		
		GP20 LN W18 T64		0		
20		GP20 LR W20 T64	2.0	15	6.4	0.05-0.12
		GP20 LL W20 T64		15		
		GP20 LN W20 T64		0		
	20	GP20 LR W25 T64	2.5	15	6.4	0.05-0.12
		GP20 LL W25 T64		15		
		GP20 LN W25 T64		0		
20		GP20 LR W30 T64	3.0	15	6.4	0.05-0.12
		GP20 LL W30 T64		15		
		GP20 LN W30 T64		0		

Back Turning



Right hand cutting

L	Ordering Code	α°	β°	R	W	H	B	T	Feed mm/rev
19	GB19 R A30	30	12	0.1	3.4	4.3	0.5	5.4	0.05-0.15
20	GB20 R A30	30	12	0.1	3.4	4.3	0.5	6.4	0.05-0.15

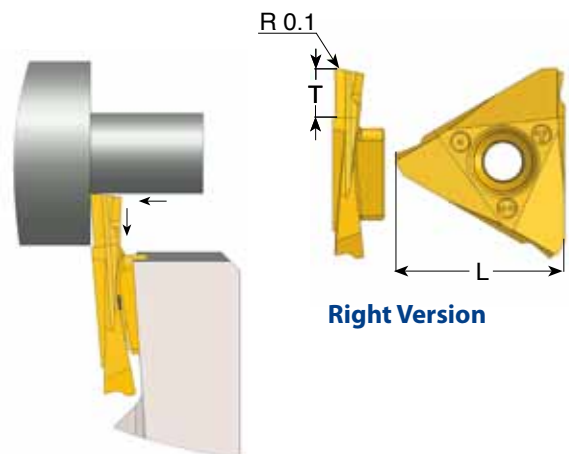
Left hand cutting

L	Ordering Code	α°	β°	R	W	H	B	T	Feed mm/rev
19	GB19 L A30	30	12	0.1	3.4	4.3	0.5	5.4	0.05-0.15
20	GB20 L A30	30	12	0.1	3.4	4.3	0.5	6.4	0.05-0.15

Front Turning

Right hand cutting

L	Ordering Code	T	Feed mm/rev
19	GF19 R T54	5.4	0.05-0.15
20	GF20 R T64	6.4	0.05-0.15

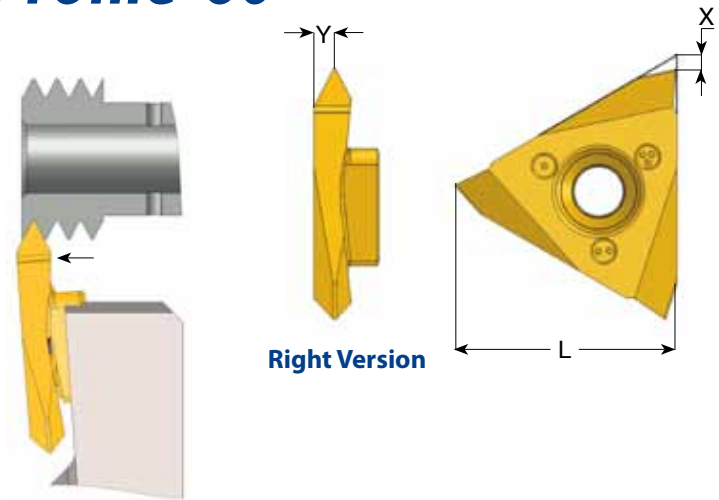


Left hand cutting

L	Ordering Code	T	Feed mm/rev
19	GF19 L T54	5.4	0.05-0.15
20	GF20 L T64	6.4	0.05-0.15

Threading - Partial Profile 60°

External Thread



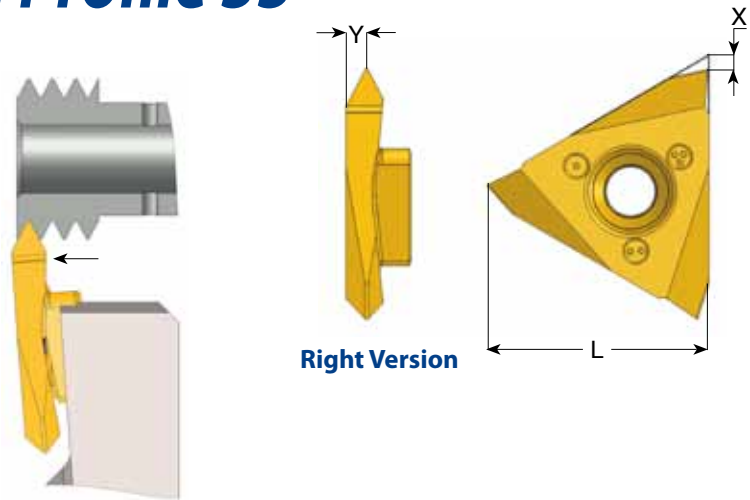
Right hand cutting

L	mm	TPI	Ordering Code	X	Y
19	0.5-1.5	48-16	GT19 R A60	2.8	1.1
	1.75-3.0	14-8	GT19 R G60	2.8	1.7
	0.5-3.0	48-8	GT19 R AG60	2.8	1.7

Left hand cutting

L	mm	TPI	Ordering Code	X	Y
19	0.5-1.5	48-16	GT19 L A60	2.8	1.1
	1.75-3.0	14-8	GT19 L G60	2.8	1.7
	0.5-3.0	48-8	GT19 L AG60	2.8	1.7

Threading - Partial Profile 55° External Thread



Right hand cutting

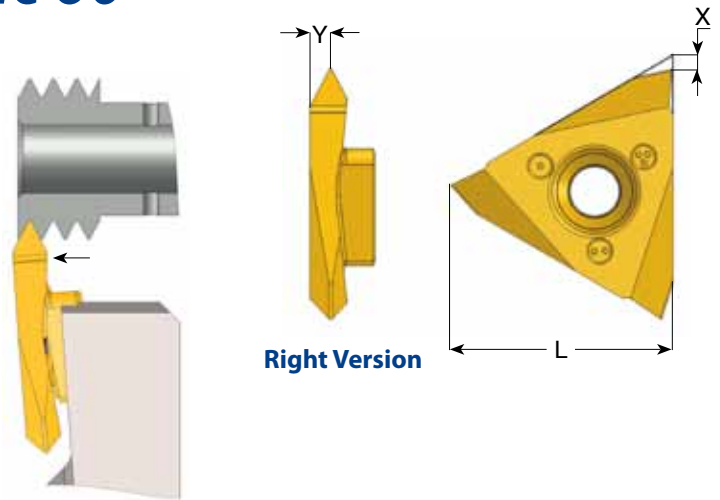
L	mm	TPI	Ordering Code	X	Y
19	0.5-1.5	48-16	GT19 R A55	2.8	1.0
	1.75-3.0	14-8	GT19 R G55	2.8	1.7
	0.5-3.0	48-8	GT19 R AG55	2.8	1.7

Left hand cutting

L	mm	TPI	Ordering Code	X	Y
19	0.5-1.5	48-16	GT19 L A55	2.8	1.0
	1.75-3.0	14-8	GT19 L G55	2.8	1.7
	0.5-3.0	48-8	GT19 L AG55	2.8	1.7

Threading - ISO metric 60°

External Thread



Right Version

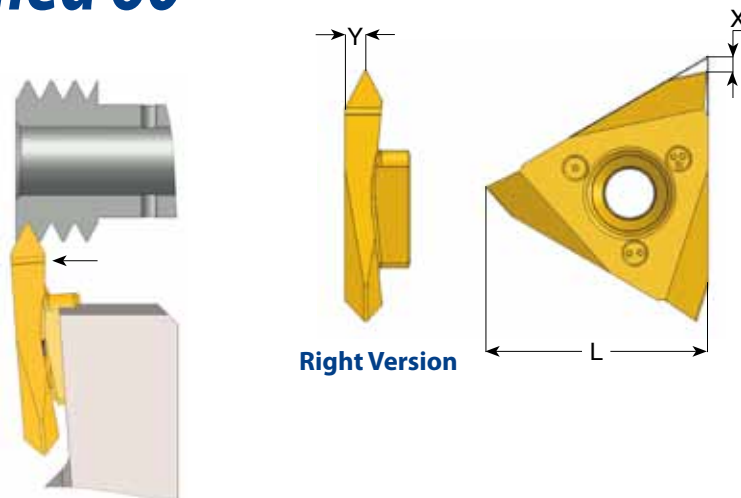
Right hand cutting

L	mm	Ordering Code	X	Y
19	0.5	GT19 R 0.5ISO	2.8	0.6
	0.7	GT19 R 0.7ISO	2.8	0.7
	0.75	GT19 R 0.75ISO	2.8	0.7
	0.8	GT19 R 0.8ISO	2.8	0.7
	1.0	GT19 R 1.0ISO	2.8	0.8
	1.25	GT19 R 1.25ISO	2.8	1.0
	1.5	GT19 R 1.5ISO	2.8	1.1
	1.75	GT19 R 1.75ISO	2.8	1.3

Left hand cutting

L	mm	Ordering Code	X	Y
19	0.5	GT19 L 0.5ISO	2.8	0.6
	0.7	GT19 L 0.7ISO	2.8	0.7
	0.75	GT19 L 0.75ISO	2.8	0.7
	0.8	GT19 L 0.8ISO	2.8	0.7
	1.0	GT19 L 1.0ISO	2.8	0.8
	1.25	GT19 L 1.25ISO	2.8	1.0
	1.5	GT19 L 1.5ISO	2.8	1.1
	1.75	GT19 L 1.75ISO	2.8	1.3

Threading - UN unified 60° External Thread



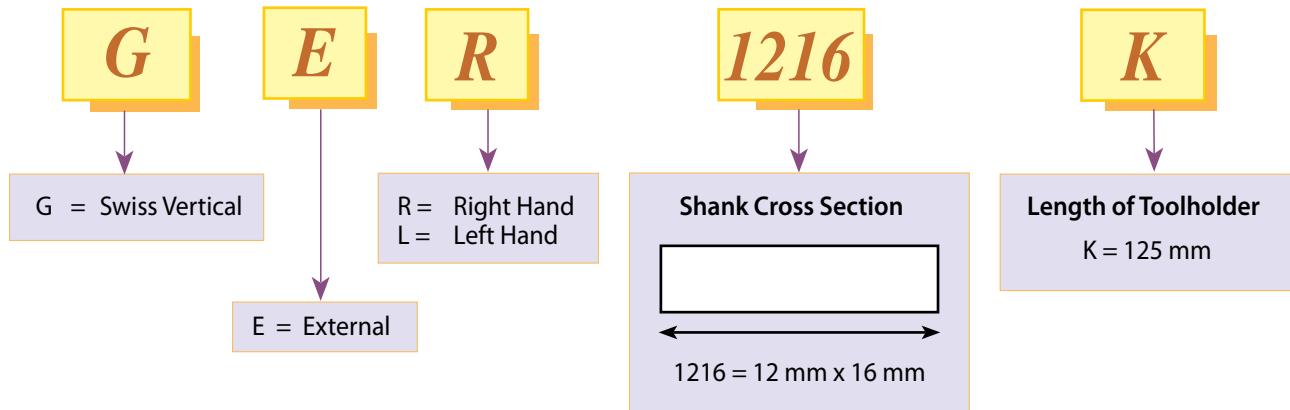
Right hand cutting

L	TPI	Ordering Code	X	Y
19	72	GT19 R 72UN	2.8	0.4
	56	GT19 R 56UN	2.8	0.6
	40	GT19 R 40UN	2.8	0.7
	32	GT19 R 32UN	2.8	0.7
	24	GT19 R 24UN	2.8	0.8
	20	GT19 R 20UN	2.8	1.0

Left hand cutting

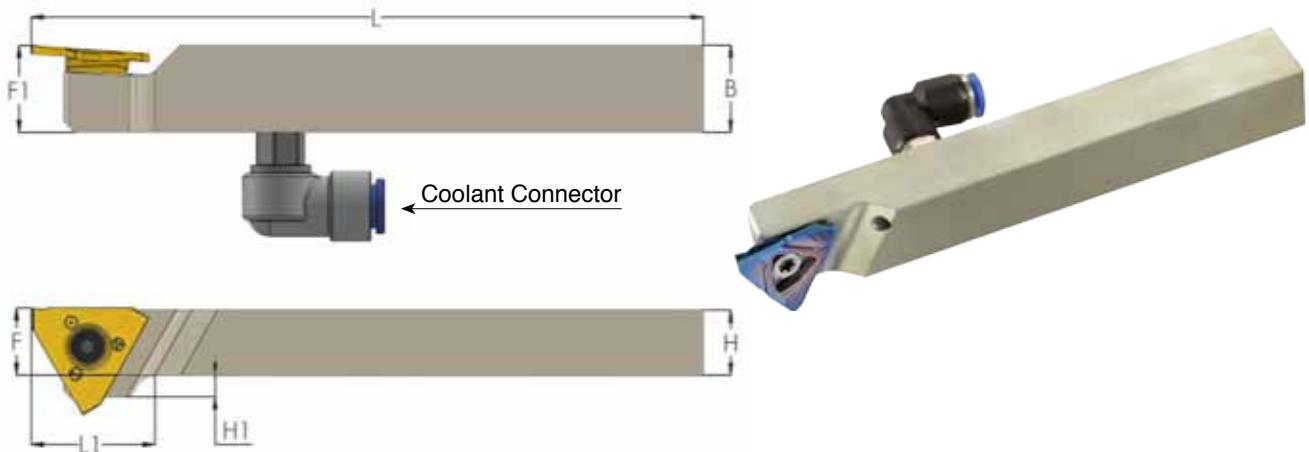
L	TPI	Ordering Code	X	Y
19	72	GT19 L 72UN	2.8	0.4
	56	GT19 L 56UN	2.8	0.6
	40	GT19 L 40UN	2.8	0.7
	32	GT19 L 32UN	2.8	0.7
	24	GT19 L 24UN	2.8	0.8
	20	GT19 L 20UN	2.8	1.0

Product Identification - Toolholders



External Toolholders

- Coolant through toolholders, for external turning in Swiss type lathes machines.
- The high pressure coolant is directed towards the insert cutting edge in order to evacuate the chips created and avoid build up edge.
- Including a coolant connector for fast attachment on the machine.



Right hand

Ordering Code	B	H	L1	L	F	F1	H1	Insert Screw	Torx Key	*Coolant connector
** GER 0816 K	16	8	17	125	8	16	8	S21	K21	-
GER 1016 K	16	10	17	125	10	16	6	S21	K21	Ø4 / Ø6
GER 1216 K	16	12	17	125	12	16	4	S21	K21	Ø4 / Ø6
GER 1616 K	16	16	-	125	16	16	0	S21	K21	Ø4 / Ø6
GER 2020 K	20	20	-	125	20	20	0	S21	K21	Ø4 / Ø6
GER 2525 M	25	25	-	150	25	25	0	S21	K21	Ø4 / Ø6

* Diameter of coolant pipe

** Without coolant

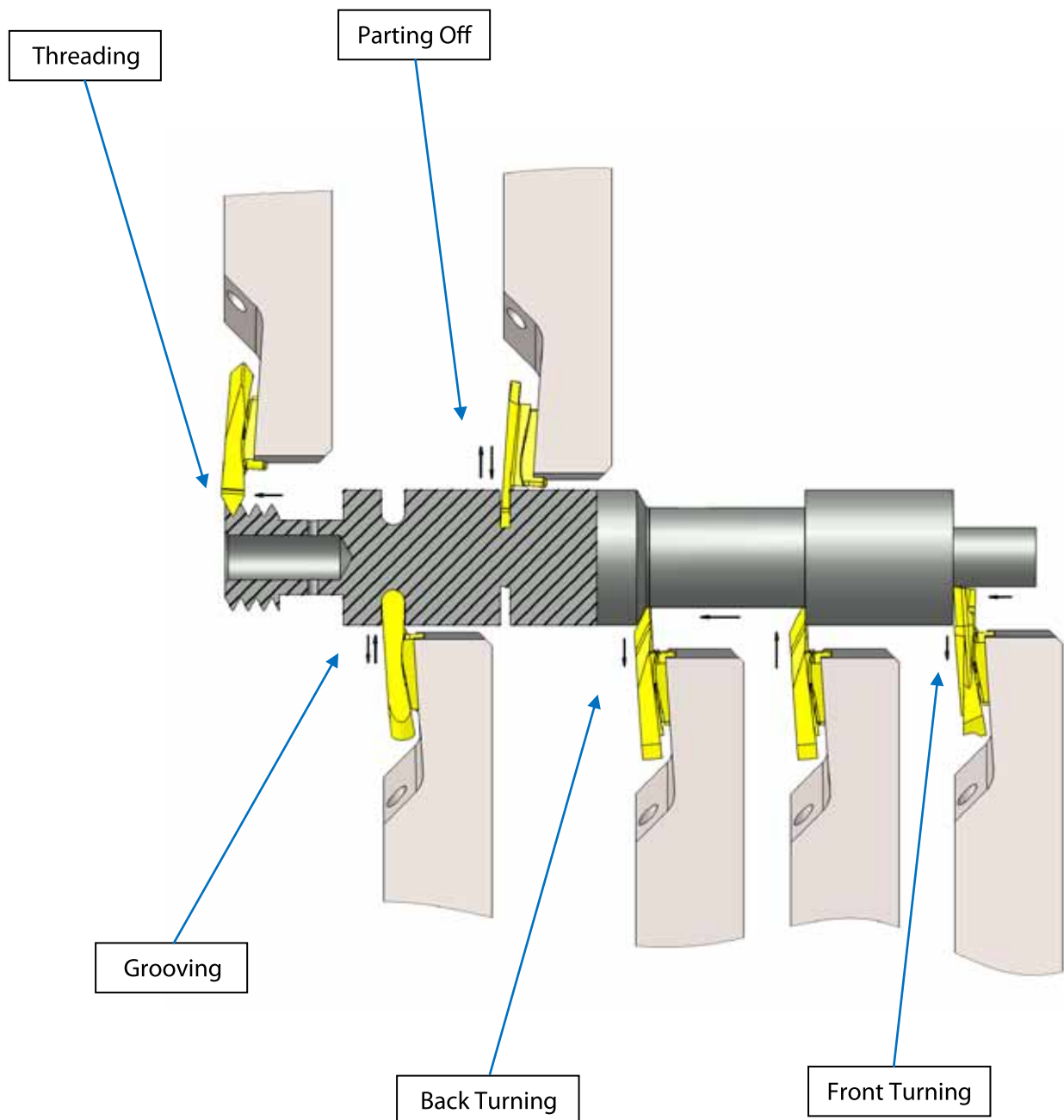
Left hand

Ordering Code	B	H	L1	L	F	F1	H1	Insert Screw	Torx Key	*Coolant connector
** GEL 0816 K	16	8	17	125	8	16	8	S21	K21	-
GEL 1016 K	16	10	17	125	10	16	6	S21	K21	Ø4 / Ø6
GEL 1216 K	16	12	17	125	12	16	4	S21	K21	Ø4 / Ø6
GEL 1616 K	16	16	-	125	16	16	0	S21	K21	Ø4 / Ø6
GEL 2020 K	20	20	-	125	20	20	0	S21	K21	Ø4 / Ø6
GEL 2525 M	25	25	-	150	25	25	0	S21	K21	Ø4 / Ø6

* Diameter of coolant pipe

** Without coolant

Grooving - Parting Off - Turning - Profiling - Threading Working Method



Carbide Grades

K20

Uncoated Sub-Micron carbide grade for Aluminum and non-ferrous materials, Stainless Steels and Titanium.

BLU

PVD triple layer coated Sub-Micron grade for Steel, Stainless Steels, Titanium and hard materials.

Cutting Data

ISO Standard	Materials	Cutting Speed m/min	
		K20	BLU
P	Low & Medium Carbon Steels <0.55%C	-	80-150
	High Carbon Steels ≥0.55%C	-	70-120
	Alloy Steels, Treated Steels	-	40-80
M	Stainless Steel-Free Cutting	30-80	60-120
	Stainless Steel-Austenitic	20-70	30-90
	Cast Steels	30-80	50-120
K	Cast Iron	50-120	-
N	Aluminium ≤12%Si, Copper	120-250	-
	Aluminium >12%Si	90-200	-
	Synthetics, Duroplastics, Thermoplastics	70-150	-
S	Nickel alloys, Titanium alloys.	20-50	30-70
H	Hardened Steel, 45-50HRc	-	20-50